

Installation accessories
Stacking kit for 6 GN 2/1 oven
placed on electric 6 or 10 GN 2/1

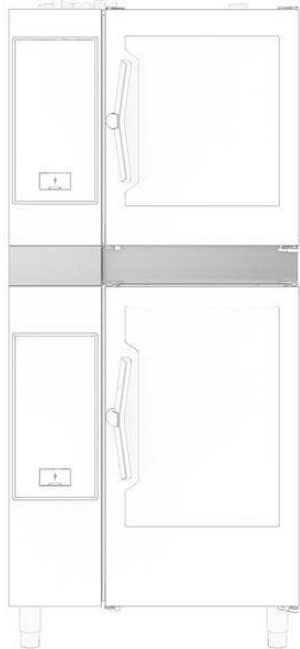
ITEM # _____

MODEL # _____

NAME # _____

SIS # _____

AIA # _____



922621 (STK62161021)

Stacking kit for 6 GN 2/1
oven placed on electric 10
GN 2/1 oven

Main Features

- Ideal for saving kitchen space.
- Includes: supports, external panels, flue and water pipes, drain connection and adjustable feet.
- The kit can be mounted on site.
- Typology (gas, electric) must be ordered considering the oven that will be placed at the bottom.

Key Information:

External dimensions,
Width:

922621 (STK62161021) 1090 mm

External dimensions,
Depth:

1092 mm

External dimensions,
Height:

120 mm

Net weight:

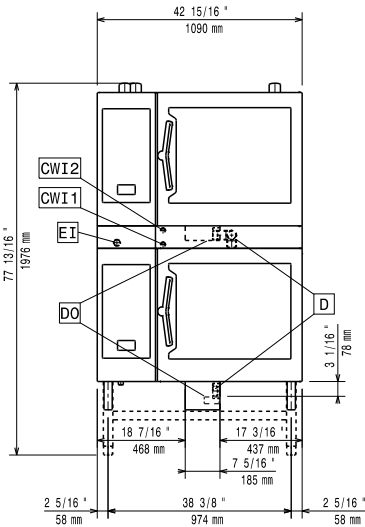
53 kg

Shipping weight:

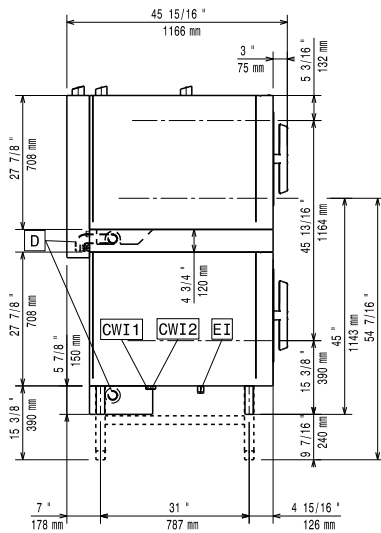
49 kg

APPROVAL: _____

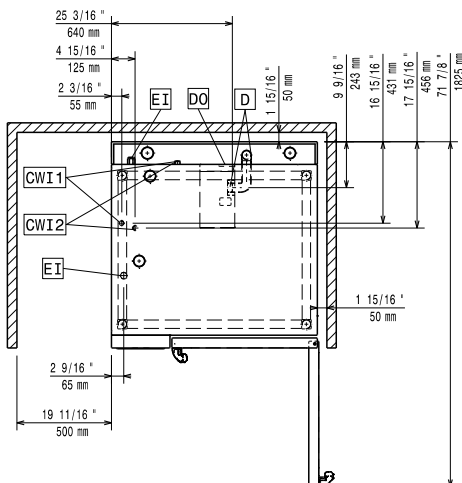
Front



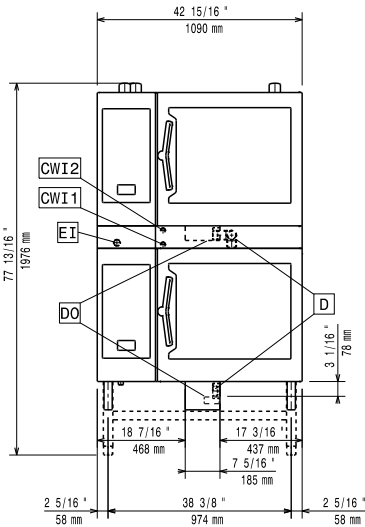
Side



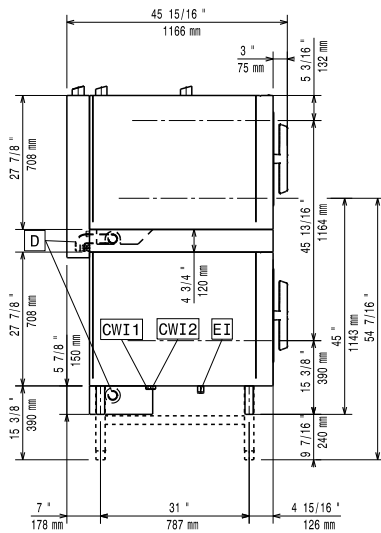
Top



Front



Side



Top

